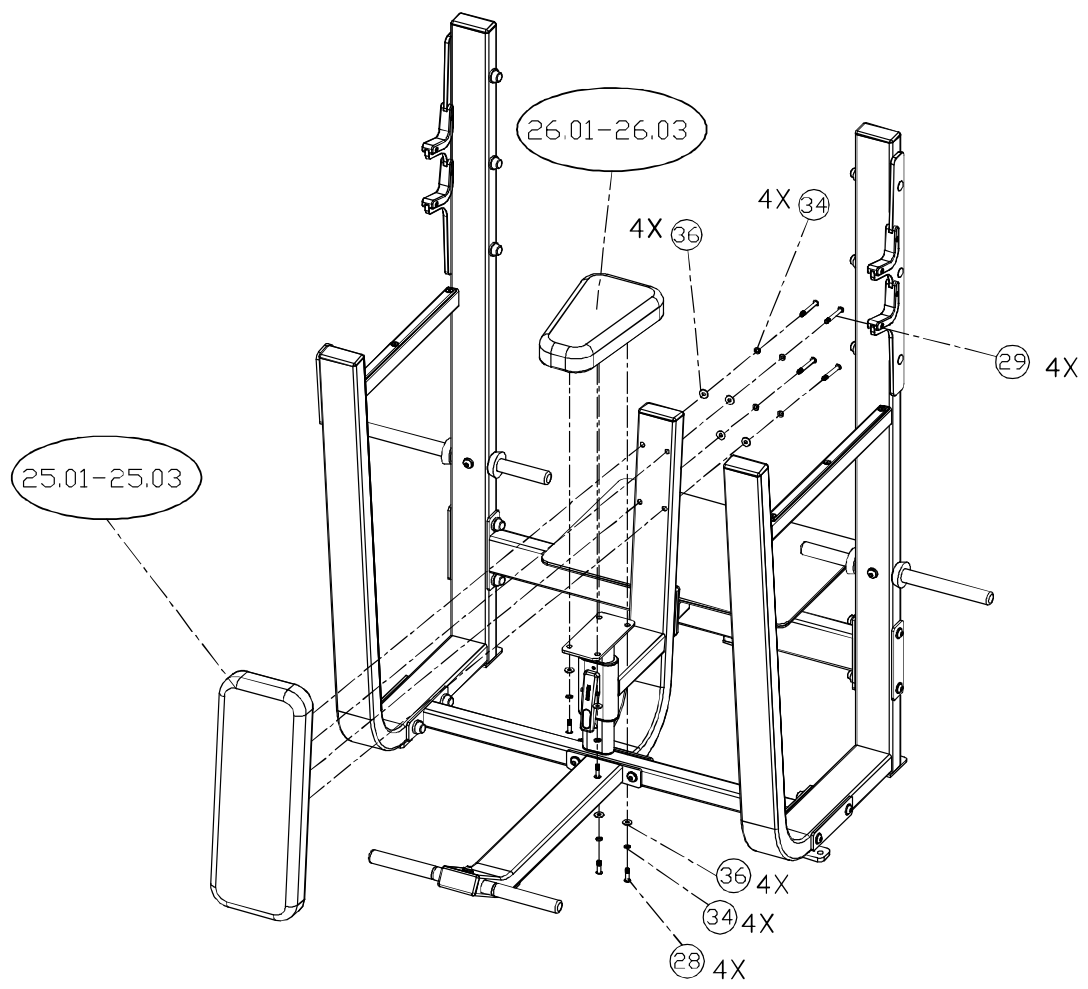


CW507	P/N: CW33693-101	REV.C
DR BY: 陶建榮	DATE: 2010/1/25	SHEET 1 OF 2



CW507	P/N: CW33693-101	REV.C
DR BY: 陶建榮	DATE: 2010/1/25	SHEET 2 OF 2

## 507 Olympic Seated Bench (Version 2)

Part Number	Description	Bubble Number
AP061576-101	PROTECTOR	1
AP022765-101	PLATE,BACKING, SKYE WHITE	2.01
AP022765-112	PLATE,BACKING,TITANIUM	2.02
AP022765-119	PLATE,BACKING, EXPERIENCE TITANIUM	2.03
AP042154-101	WELDMENT, UPRIGHT, CW507, SKY WHITE	3.01
AP042154-112	WELDMENT, UPRIGHT, CW507, TITANIUM	3.02
AP042154-119	WELDMENT, UPRIGHT, CW507, EXPERIENC	3.03
AP041861-711	WELDMENT,SEAT ADJUSTMENT	4
AP030466-741	SPACER,SUPPORT SHAFT,	5
AP030466-742	SPACER,SUPPORT SHAFT,	5
AP060328-101	PLASTIC OVAL END CUP	6
AP041872-101	WELDMENT, UPRIGHT, CW507,SKY WHITE	8.01
AP041872-112	WELDMENT, UPRIGHT, CW507, TITANIUM	8.02
AP041872-119	WELDMENT, UPRIGHT, CW507, EXPERIENC	8.03
AP041873-101	WELDMENT,BASE,SKY WHITE	9.01
AP041873-112	WELDMENT,BASE,TITANIUM	9.02
AP041873-119	WELDMENT,BASE,EXPERIENCE TITANIUM	9.03
AP041874-101	ASSEMBLY,SEAT SUPPORT,SKY WHITE	10.01
AP041874-112	ASSEMBLY,SEAT SUPPORT,TITANIUM	10.02
AP041874-119	ASSEMBLY,SEAT SUPPORT,EXPERIENCE TI	10.03
AP041875-101	ASSEMBLY,BACK SUPPORT,SKY WHITE	11.01
AP041875-112	ASSEMBLY,BACK SUPPORT,TITANIUM	11.02
AP041875-119	ASSEMBLY,BACK SUPPORT,EXPERIENCE TI	11.03
AP041876-101	WELDMENT,WEIGHT BAR SUPPORT,SKY WHI	12.01
AP041876-112	WELDMENT,WEIGHT BAR SUPPORT,TITANIU	12.02
AP041876-119	WELDMENT,WEIGHT BAR SUPPORT,EXPERIE	12.03
AP041947-101	WELDMENT,FRONT TUBE,SKY WHITE	13.01
AP041947-112	WELDMENT,FRONT TUBE,TITANIUM	13.02
AP041947-119	WELDMENT,FRONT TUBE,EXPERIENCE TITA	13.03
CW34549-101	ENDCAP, REC TUBE, 2X4, BLK PLASTIC,	15
AT060528-101	WEAR SLEEVE	16
AP060714-101	PAD,RUBBER,CW816	17
AP060934-101	CREPE,CUT PIECE, 1/4 X 17 X26	18
CWPD1104B-101	PAD,9X24,4HOLES,W/BP,BLACK	25.01
CWPD1207B-101	PAD,5X9X14.5,4HOLES,W/BP,BLACK	26.01
KDJN050-047	LOCKNUT,FULL,1/2-13,E-COAT	27
TAJN031-125	SCREW,BTHD,5/16-18X1-1/4, E-COAT	28
TAJN031-300	SCREW,BTHD,5/16-18X1-3, E-COAT	29
TAJN050-075	SCREW,BTHD,1/2-13X3/4,BLK E-COAT	30
TAJN050-125	SCREW,BTHD,1/2-13X1.25,BLK E-COAT	31
TAJN050-325	SCREW,BTHD,1/2-13X3.25,BLK E-COAT	32
TAJN050-525	SCREW,BTHD,1/2-13X5.25,BLK E-COAT	33
WBWJN008-002	WASHER, 8MM SPLIT LOCK, E-COAT	34
WBWJN013-003	WASHER, 13MM SPLIT LOCK, E-COAT	35
WKJN008-002	WASHER, METRIC, PLAIN, 8MM, E-COAT	36
WKJN013-002	WASHER, FLAT, 13MM X 22MM X 2.0MM,	37
AP050522-731	STOP PLUG, BLACK ZINC PLATE	38
AP060225-101	END CAP,SQUARE TUBE	39

AP030464-711	FOOTREST, 1.25 DIA X 20.0 L	40
AP031318-741	BAR,WEIGHT HOLDER	41
CW10186-105	WRENCH, ALLEN 6MM (4-5/8)	42
CW10186-110	WRENCH, ALLEN, 8MM	43
CW10186-117	WRENCH, ALLEN 5MM	44
BAJN050-500	BOLT,CARRIAGE,1/2-13X5	45
AP060032-101	CAP, PLASTIC, 33.5MM DIA X28.5MM DI	47
AP023197-711	PLATE,HOLDER,WEIGHT BAR, 2POS	48
AP061086-101	GUN RAK PROTECTOR	49
AP050752-102	THICK BUTTON HEAD SCREW 1/4"-20UNCX	50
KDJN025-031	LOCKNUT,FULL,1/4-20,E-COAT	51
WBCCN013-003	WASHER, 13MM ID, 3MM THICK	52
CW12653-101	LABEL, SERIAL NUMBER BAR CODE, BOXE	55
CW12654-101	LABEL, "MADE IN CHINA", BOXED UNITS	56
CAJN031-100	SCREW,SKHD,5/16-18 X 1.00 E-COAT	59
0011277-112	RIVNUT,INSERT,LG DIA,5/16X18	60
CW33691-102	KIT, HARDWARE, CW507	200
CW34644-101	LITERATURE KIT, CW507	999